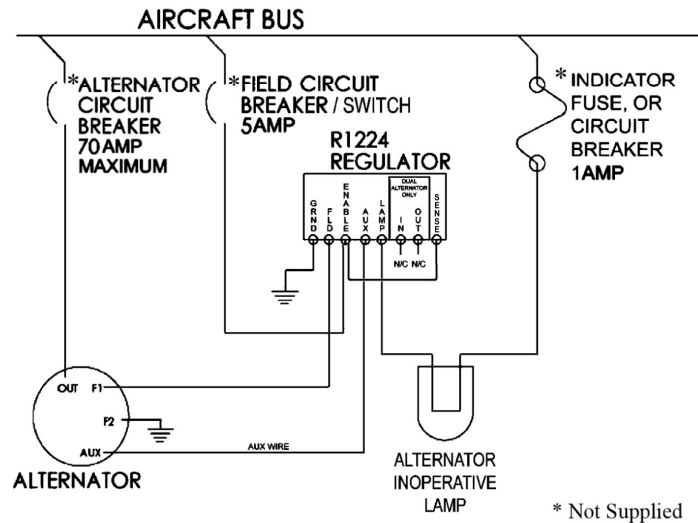


# SAL12-70C

## INSTALLATION INSTRUCTIONS

### WIRING DIAGRAM



**Drawing No.: 14-6001**  
**Belt Driven Alternator Conversion Installation Instructions**  
**For**  
**Model: SAL12-70C**  
**Single- Engine Aircraft with Continental Engine**

Revision History			
Rev.	Date	By	Revisions
A	7/19/07	SJK	DELETED PAGE 5, 6-h UPDATED, PAGE 3 WIRING DIAGRAM UPDATED
B	5/23/08	SJK	UPDATED PART 1 STEP 3, AND PAGE 3 INSTALLATION DIAGRAM
C	11/19/09	BRJ	REMOVED DUPLICATIONS, UPDATED DATA, ADDED ICA

Parts List:		
Qty	Part No.	Description
1	10-1050C	Alternator, 12 Volt, with 3.0" Diameter 3/8" V-Belt Pulley.
1	10-9099	Mounting kit for Continental Engine.
1	R1224	Alternator Controller (Voltage Regulator) and data sheet 12-1001
1	ALP-1001	Placard, ALT FIELD (Part of Drawing 14-1012)
1	ALP-1006	Placard, ALT INOP (Part of Drawing 14-1012)
1	14-6001	Installation Instructions (This document)
1	14-1010	Alternator Inoperative Lamp (14 Volt)

**READ AND THOROUGHLY UNDERSTAND ALL OF THE INSTALLATION INSTRUCTIONS BEFORE BEGINNING INSTALLATION OF THIS KIT.**

**NOTE: IF AIRCRAFT DOES NOT HAVE A CIRCUIT BREAKER OR CURRENT LIMITING DEVICE IN THE GENERATOR'S OUTPUT AND REGULATOR'S INPUT CIRCUIT THEY MUST BE INSTALLED.**

### Part 1, Installation of Alternator and Regulator

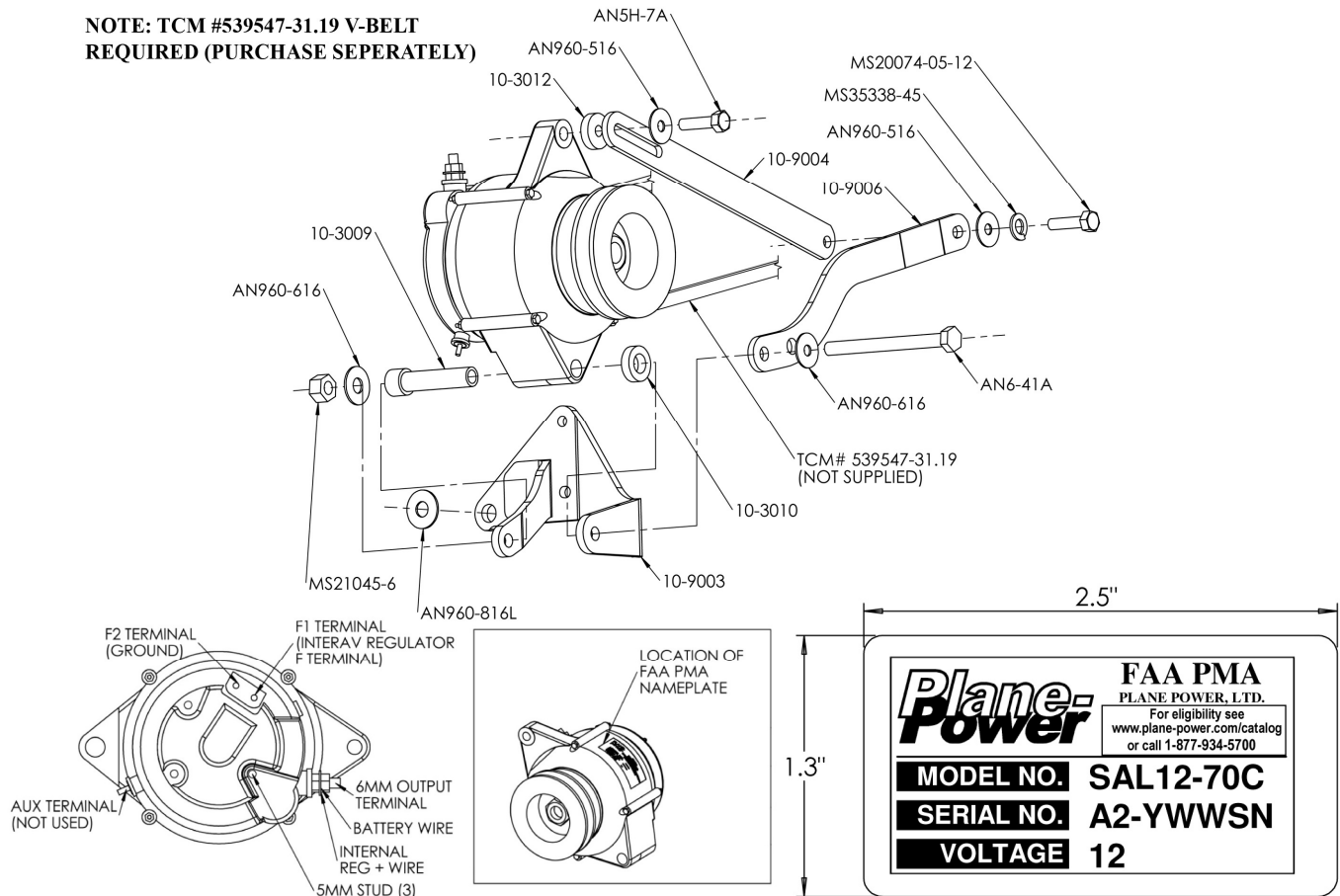
1. Disconnect aircraft battery.
2. Remove Generator and voltage regulator.
3. Install Alternator per drawing on page 3. Tension the belt and torque the AN5H-7A adjusting bolts to 100 - 140 in/lb and safety wire with 0.032" diameter safety wire. Torque the AN6-41A mounting bolts to 160 - 190 in/lb.
4. **Ensure that internal jumper #1 and internal jumper #2 of the R1224 regulator are set for 12V operation** (See regulator instructions for location of jumpers).
5. If original output circuit breaker is rated at less than 70-amps and you wish to be able to utilize the increased capacity of the alternator, remove the breaker and replace with suitable breaker up to 70amp maximum size. **Ensure wire size from alternator output terminal to output circuit breaker and from output circuit breaker to bus is rated for more than the size of breaker installed per AC43.13-1B.**  
**Note: If aircraft has been equipped with an Amp Meter, ensure that it is of adequate size to handle the increased output capability before increasing the output wire and breaker.**

6. Wire the system as follows:
- a. For regulator wiring instructions view the regulator installation instructions.
  - b. Connect the GRND terminal of the regulator to the common aircraft ground.
  - c. Leave the ground jumper installed on the F2 terminal of the alternator.
  - d. Connect the existing generator output wire to the alternator's 6mm OUTPUT TERMINAL (or install a new wire in accordance with AC43.13-1B) using a MS25171-2S terminal nipple for insulation (Not Supplied). Torque to 50 in/lb.
  - e. Use the original generator field wire or install a new wire, minimum 18AWG, from the alternator F1 terminal to the FLD terminal of the regulator. Torque the alternator's F1 terminal nut to 20 in/lb.
  - f. Install, in view of the pilot, placard ALP-1001 (ALT FIELD) adjacent to the field switch for the alternator.
  - g. Ensure that the other end of the FIELD switch/breaker is connected to the aircraft positive bus.
  - h. If the aircraft has a "Generator Inoperative" indicator lamp, it may be used in this step. If the lamp is not currently installed or is not compatible use the supplied lamp P/n 14-1010 Alternator Inoperative Lamp (14 Volt) and install it in pilots clear field of view.
  - i. Install, in view of the pilot, placard ALP-1006 (ALT INOP) adjacent to the indicator for the alternator. Also run a new wire, minimum 18AWG, from the AUX terminal of the alternator to the AUX terminal of the regulator.
7. Adjust and Test the system:
- a. Set FIELD switch to OFF.
  - b. Turn on MASTER switch and start the engine. With FIELD switch in OFF position ensure that ALT INOP indicator is illuminated.
  - c. Turn on the FIELD switch. Check proper charging indication. Check ALT INOP indicator is off. Check aircraft maintenance manual for proper bus voltage (typically 14.0V  $\pm$  0.3V). Adjust the regulator to the desired bus voltage at 1200 engine RPM.
  - d. Recheck and inspect the entire installation. Complete FAA form 337, make log book entry, update aircraft equipment list, and weight and balance

### Mounting Kit Parts List

10-9099 MOUNTING KIT COMPONENTS					
QTY	P/N	DESCRIPTION	QTY	P/N	DESCRIPTION
1	10-3009	SPACER BUSHING	1	AN960-816L	WASHER
1	10-3010	SPACER	2	AN960-616	WASHER
1	10-3012	SPACER	2	AN960-516	WASHER
1	10-9003	CONTINENTAL BRACKET	1	MS20074-05-12	BOLT
1	10-9004	TENSION ARM	1	AN5H-7A	BOLT
1	10-9006	SUPPORT BRACKET	1	AN6-41A	BOLT
1	MS35338-45	LOCK WASHER	1	MS21045-6	NUT

**NOTE: TCM #539547-31.19 V-BELT  
REQUIRED (PURCHASE SEPERATELY)**



**Part 2, Preparation of FAA Form 337**

1. Installed Alternator in accordance with Supplemental Type Certificate No. SA10682SC. Updated Airplane Flight Manual with Plane-Power, Ltd. Airplane Flight Manual Supplement 001 (or later revision). Weight changed (compute weight and balance as necessary). Checked size of wire from Alternator output terminal to alternator circuit breaker and from Alternator circuit breaker to bus and size of Alternator circuit breaker with AC43.13-1B. (Note: use this statement as applicable. If wire and circuit breaker sizes are satisfactory, so state. If not satisfactory, state wire and/or circuit breaker size installed to conform with AC43.13-1B.)
2. Modified aircraft equipment list by removal of generator listed and adding Plane-Power Model SAL12-70C Alternator Kit.

**Weight and Balance**

Removed generator installation:

Weight \_\_\_\_\_

Arm \_\_\_\_\_  
(Refer to Aircraft Equipment List)

Removed regulator installation:

Weight \_\_\_\_\_

Arm \_\_\_\_\_  
(Refer to Aircraft Equipment List)

Installed SAL 12-70C alternator kit consisting of:

	wt.
(1) 10-1050C alternator	<u>10.0lbs.</u>
(1) 10-9099 mounting kit.	<u>1.4 lbs.</u>
(1) R1224 Voltage Regulator	<u>0.3 lbs.</u>
(1) ALP-1001 Placard	<u>Negligible</u>
(1) ALP-1006 Placard	<u>Negligible</u>
(1) 14-1010 Lamp	<u>Negligible</u>

### **Part 3, Instructions for Continued Airworthiness**

#### PERIODIC MAINTENANCE:

1. It is recommended that the operation of the Plane Power, Ltd., SAL12-70C alternator be checked every 100 hour inspection or every annual inspection whichever ever comes first.
2. ANNUAL/100 HOUR INSPECTION:
  - a. Remove drive belt and turn alternator rotor to check condition of bearings for abnormal noise or roughness.
  - b. Each annual/100 hour inspection, the alternator and its associated wiring should be checked for secure electrical connections and physical connection to the airframe. The belt drive tension should be re-set to the aircraft manufacturer's specification.
3. 5 YEAR OR 1000 HOUR INSPECTION
  - a. Repeat the Annual/100 hour inspection.
  - b. Remove field brush assembly and inspect brushes for excess wear. Replace brush assembly if brushes extend less than 0.250 inches from edge of holder case.

#### AIRWORTHINESS LIMITATIONS

There are no mandatory replacement limits. There are no mandatory structural inspection intervals.

THE AIRWORTHINESS LIMITATIONS SECTION IS FAA APPROVED AND SPECIFIES MAINTENANCE REQUIRED UNDER SEC. 43.16 AND 91.403 OF THE FEDERAL AVIATION REGULATIONS UNLESS AN ALTERNATIVE PROGRAM HAS BEEN FAA APPROVED.